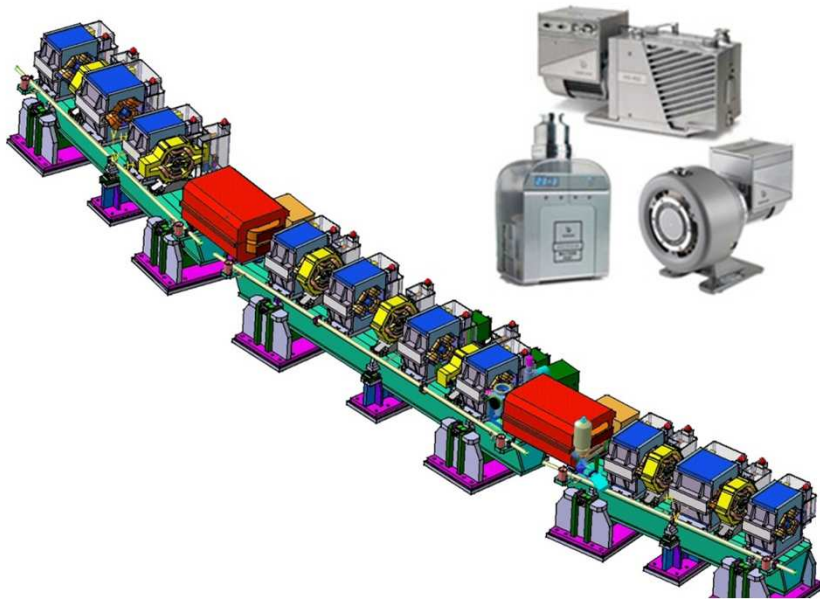


# **WORKSHOP ON MAINTENANCE & RELIABILITY**

**NOVEMBER 9-10, 2011**

- A workshop initiated from the statement of fact :  
at any research facility, there are thousands of equipment to maintain and enhance :



- ➔ Installation and maintenance management is a common issue, mandatory to keep reliability at a high level.

## Objectives of the workshop:

- ➔ To share our issues and working methods,
- ➔ To exchange on the used tools and maintenance organization
- ➔ To mutually take advantage of our experiences so that to be able to improve maintenance processes and, consequently, reliability

## Proposed topics:

### ➔ Facilities organization to manage maintenance:

Involved services, coordination, support change, staff training, used tools and software, ...

### ➔ Configuration management:

Technical description of the hardware, equipment localization and history of moves, spare management, inventory, warranty management, ...

### ➔ Maintenance process:

Interventions tracking, maintenance process operation, problems & repairs management, ...

### ➔ Reliability improvement:

Indicators to survey, operation enhancement, ...

### ➔ Difficulties & successes

## Wednesday November 9th

14:00	Welcome	B.Gagey - SOLEIL	
14:10	Presentation of the attenders		
14:30	Introduction	H.Rozelot - SOLEIL	Chairman : G.Perinić
14:50	Maintenance at the MAX IV laboratory	J.Thånell & A.Månsson - MAX IV	
15:15	Building & utilities Maintenance at ALBA	L.Miralles - ALBA	
15:40	Maintenance & reliability for the process at SOLEIL	P.Betinelli & L.Manciet - SOLEIL	
16:05	Coffee Break		
16:25	Building Services Maintenance at DIAMOND Contracted service or in-house staff	L.Walters - DIAMOND	Chairman : T.Marchial
16:50	Maintenance for CERN's cryogenic installations	S.Knoops - CERN	
17:15	Software maintenance operations for Mega Joule Laser facility	H.Graillot - CEA/LMJ	
17:40	Break		
18:00	Round Table Discussion		C.Herbeaux & H.Rozelot
19:30	Dinner at « La Grande Grille » restaurant		



### Thursday November 10th

9:00	Building & Maintenance Utilities at SOLEIL	T.Didier - SOLEIL	Chairman : L.Miralles
9:25	Maintenance of technical Infrastructures at ESRF	T.Marchial - ESRF	
9:50	Coffee Break		
10:10	Protontherapy Center : Maintenance & Safety	S. Meyroneinc - CPO	Chairman : L.Miralles
10:35	CERN : on the brink of a new maintenance project	G. Perinić - CERN	
11:00	Round Table Discussion		P.Betinelli & B.Gagey
12:30	Lunch		
14:00	Visit of SOLEIL synchrotron		

**HAVE A FRUITFUL WORKSHOP !**